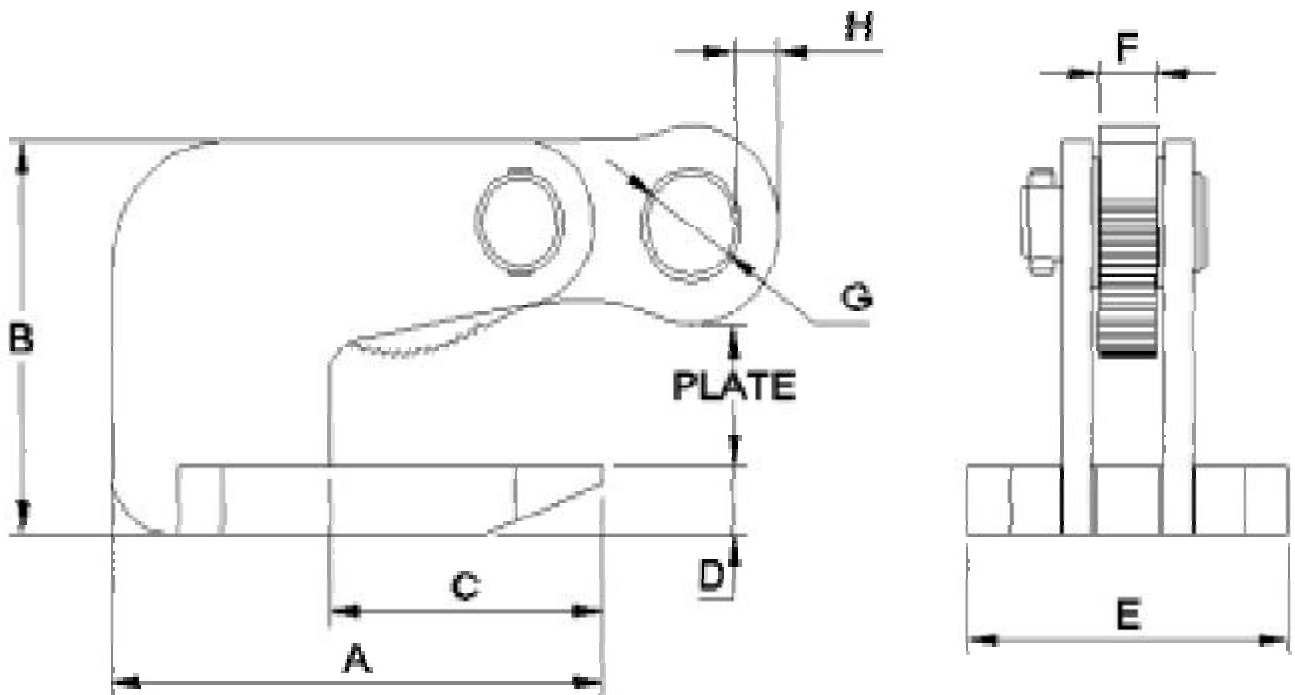


DESCRIPTION

The THK plate clamps are used in pairs with a 2leg sling at 60° on all types of materials in plate form upto surface hardness of 300 Brinell, providing that the plate can withstand the forces imposed on to it. They have been designed to handle a single thin sheet that deflects when being lifted.

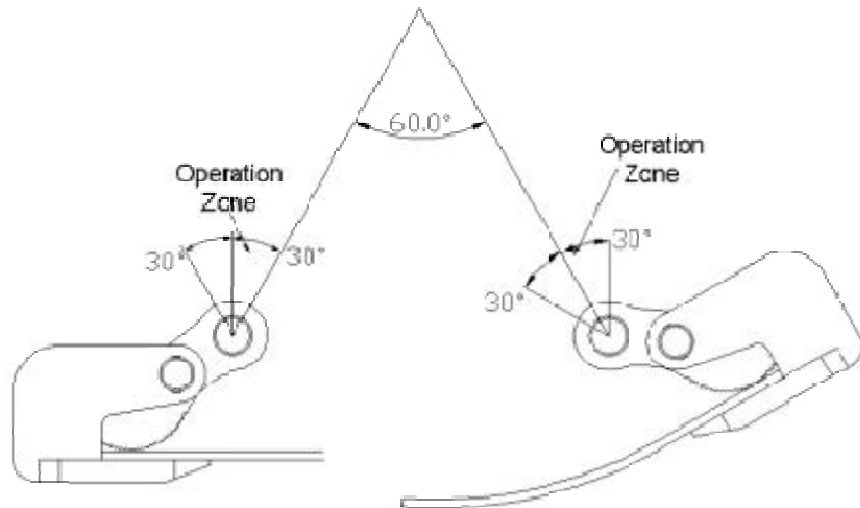
DIAGRAM



TABLE

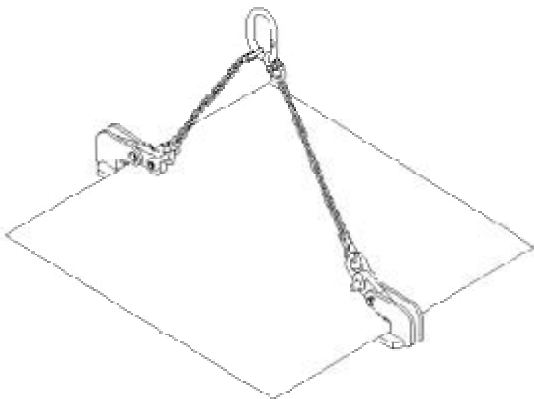
MODEL	WLL kg	PLATE mm Z	WEIGHT kg	A	B	C	D	E	F	G	H
THK 750	750	0 - 25	3	118	81	72	12	86	12	20	12
THK 1500	1500	0 - 35	6	140	102	80	15	102	12	25	15
THK 3000	3000	0 - 35	12	168	119	93	20	110	20	30	17
THK 4500	4500	0 - 45	28	183	155	103	25	122	20	30	18
THK 6000	6000	0 - 60	28	214	176	113	30	122	20	35	22
THK 9000	9000	0 - 60	42	223	188	124	35	140	20	40	25

LOAD DIAGRAM



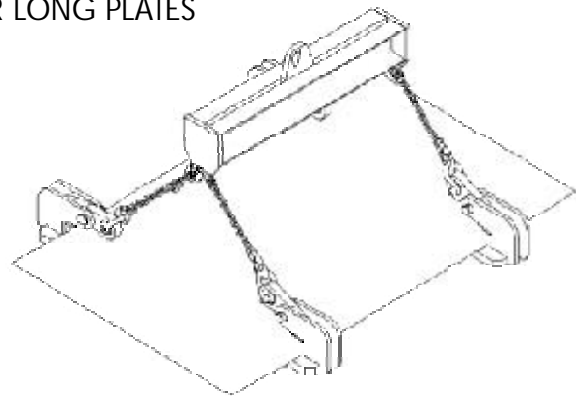
**RESTRICTIONS** Always read instructions prior to use.  
Included angle between chain and sling is not to exceed 60 degrees.

FOR SHORT PLATES



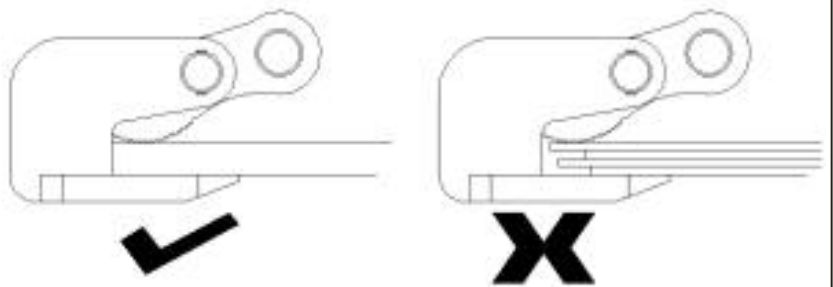
Use one pair of clamps for short plates

FOR LONG PLATES



Use a lifting beam or a spreader beam for long plates. DO NOT use endless chain slings or 4 leg slings.

Check the plate is in contact with the back of the clamp. Designed for use with one plate only.



OPTIONS

The THK option range includes alternative sizes and lifting capacities making this range the ideal horizontal thin sheet plate clamp.